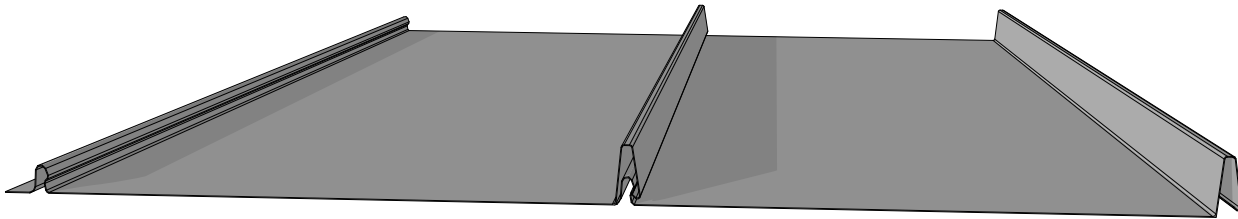




# SNAP LOCK STANDING SEAM

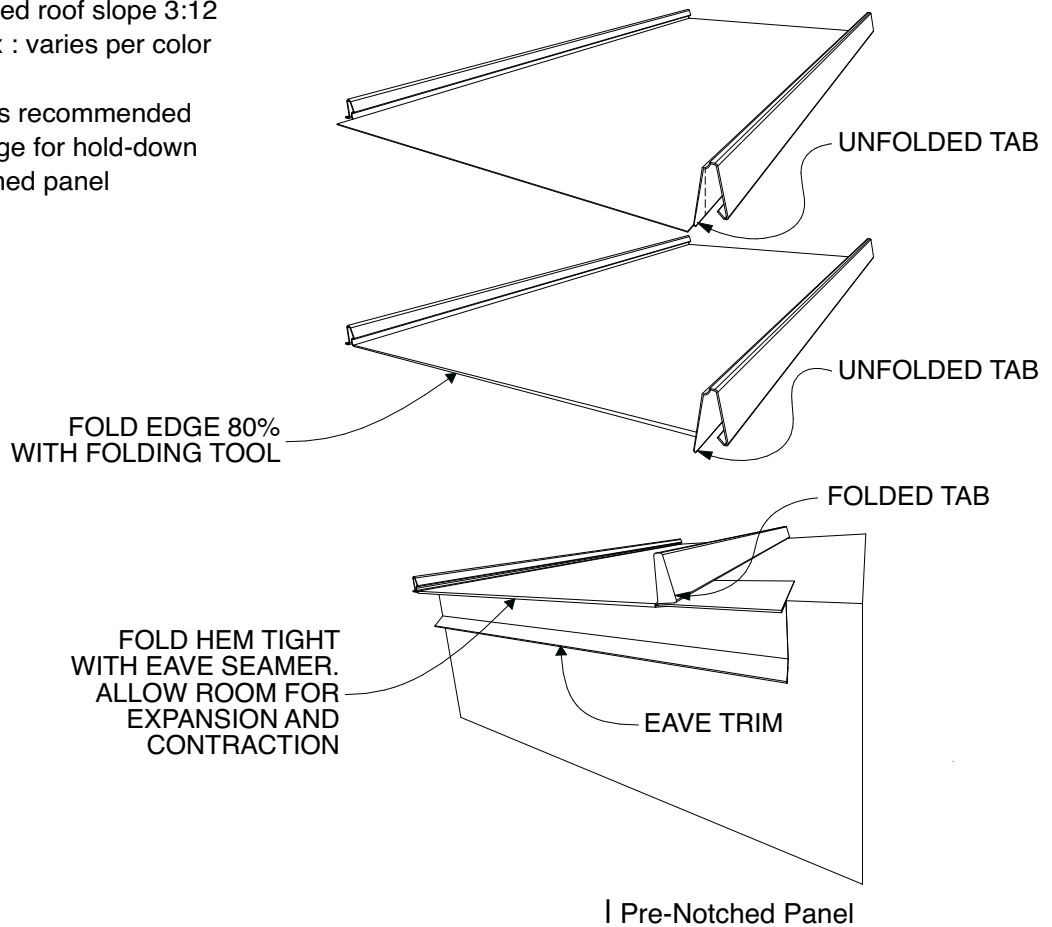


## Warranty:

Painted steel is covered by a 35 or 40 year limited warranty. To see warranty details for S.M.P click [HERE](#). For P.V.D.F warranty details click [HERE](#). Some exclusions may apply.

## Specs:

- 14 3/4" - 16" Coverage
- 1.5" - 1" Seam Height
- 26ga, 24ga, 22ga, (Grade 50)
- Minimum recommended roof slope 3:12
- Solar reflectivity index : varies per color
- Concealed fastener
- Striations or minor ribs recommended
- Pre-punched nail flange for hold-down
- Available as pre-notched panel





## **SAFETY**

Metal roofs can become extremely slippery due to dust, moisture, frost, oil, etc. Wear slip-resistant shoes and monitor changing conditions throughout the project.

Exercise caution when working at height and use appropriate fall protection measures. Always stay aware of your position on the roof in relation to co-workers, roof edges, skylights, and other hazards.

Metal panels & trim conduct electricity. Use extreme caution when working near power lines or electrical supply.

Do not walk on metal.

Metal sheets are heavy and unwieldy. Do not attempt to install in windy conditions.

Metal edges are sharp. Cutting metal can produce sharp filings. Wear gloves and eye protection.

## **STORAGE**

Projects should be coordinated and scheduled to minimize storage time and potential damage. Materials should be kept dry and out of harm's way. Store apart from corrosive or contaminating substances such as fuel, oil, acid, cleaners, paint, etc.

If storing outside:

1. Isolate from ground moisture with plastic sheet
2. Support sheets at intervals to avoid sagging
3. Elevate bundles to allow air circulation
4. Slope bundles lengthwise for drainage
5. Shelter with a loose tarp to allow air circulation
6. Do not store outside for more than 4 weeks

Prolonged moisture exposure while stacked will damage the finish. Damage from improper storage is not covered by warranty.

## **HANDLING**

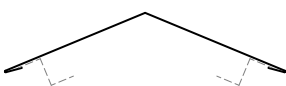
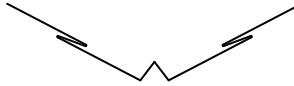

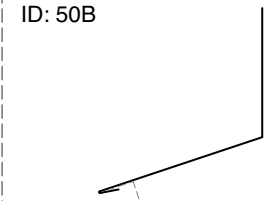

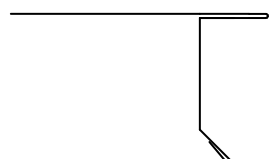

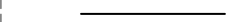
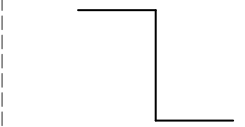
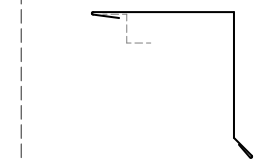
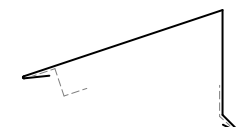

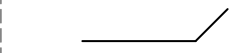
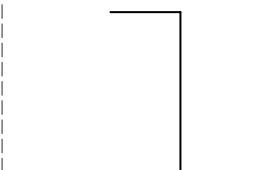
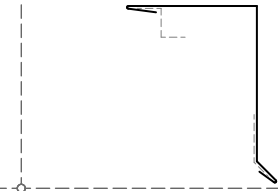
Bundled panels and trim are heavy. Provide sufficient manpower.

Trim and panels should be carried edgeways (not flat) and handled in a way that avoids bending, kinking or distorting the profile. Long panels and trim may require multiple people to handle properly.

Metal ribs and trim should not be stepped on at any time.



## COMMON TRIMS

<b>RIDGE CAP</b> ID: 01B 	<b>CLEATED VALLEY</b> ID: 02C 	<b>CLEATED PITCH BREAK</b> ID: 04G 	<b>ENDWALL OPEN HEM</b> ID: 50B 	<b>SIDEWALL OPEN HEM</b> ID: 50C 
<b>ARCH'L EAVE</b> ID: 07B 	<b>FASCIA</b> ID: 106R 	<b>COLOR GUARD</b> ID: 62 	<b>Z-TRIM</b> ID: 20 	<b>ARCH'L GABLE</b> ID: 22 
<b>PEAK FLASHING</b> ID: 31D 	<b>OFFSET CLEAT</b> ID: 26 	<b>CLEAT</b> ID: 26B 	<b>Z TRIM</b> ID: 20D 	<b>ARCH'L RAKE/GABLE</b> ID: 22D 

**Additional standard and custom profiles available for order**

### INSTALLATION

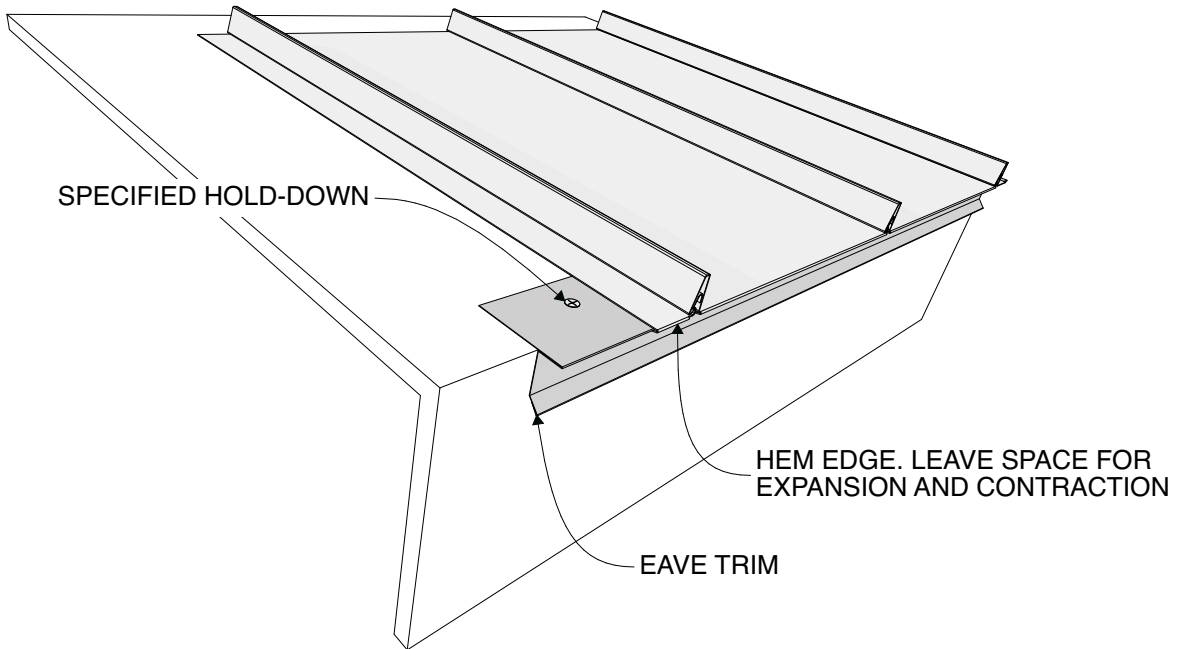
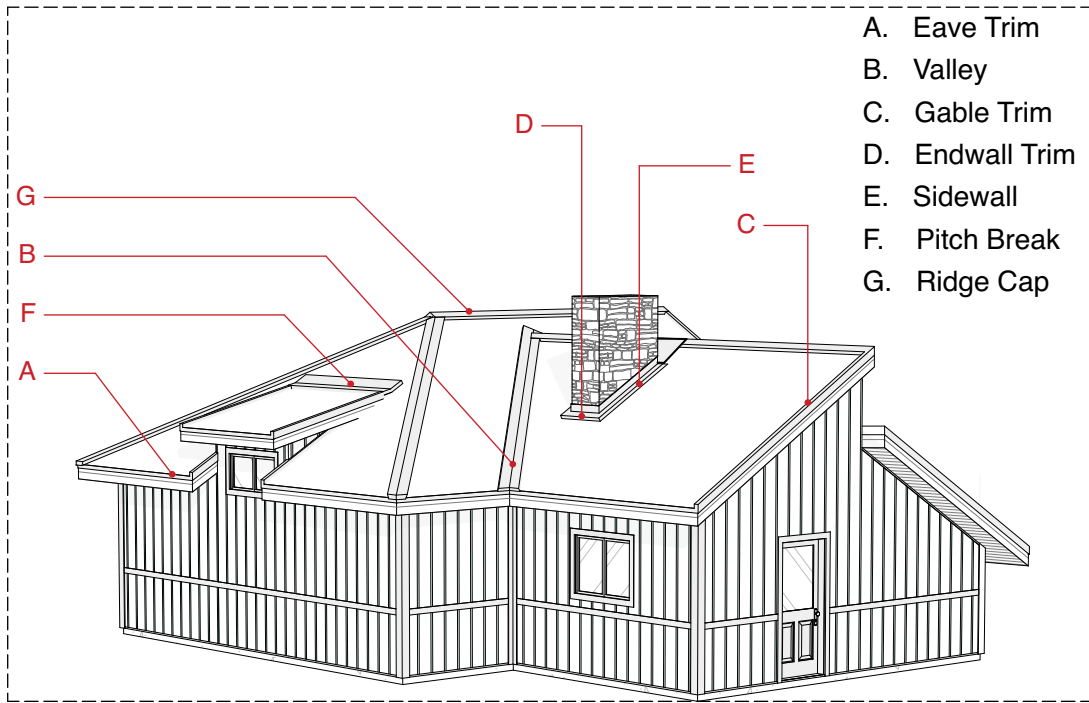
Install flashing from the bottom up. Make sure that all laps face downward for drainage and channel water away/out from the structure. Do not rely entirely upon sealant!

Do not use abrasive blades to cut (grinder cut-off wheels and such like). The heat produced will burn the finish causing rust and discoloration.

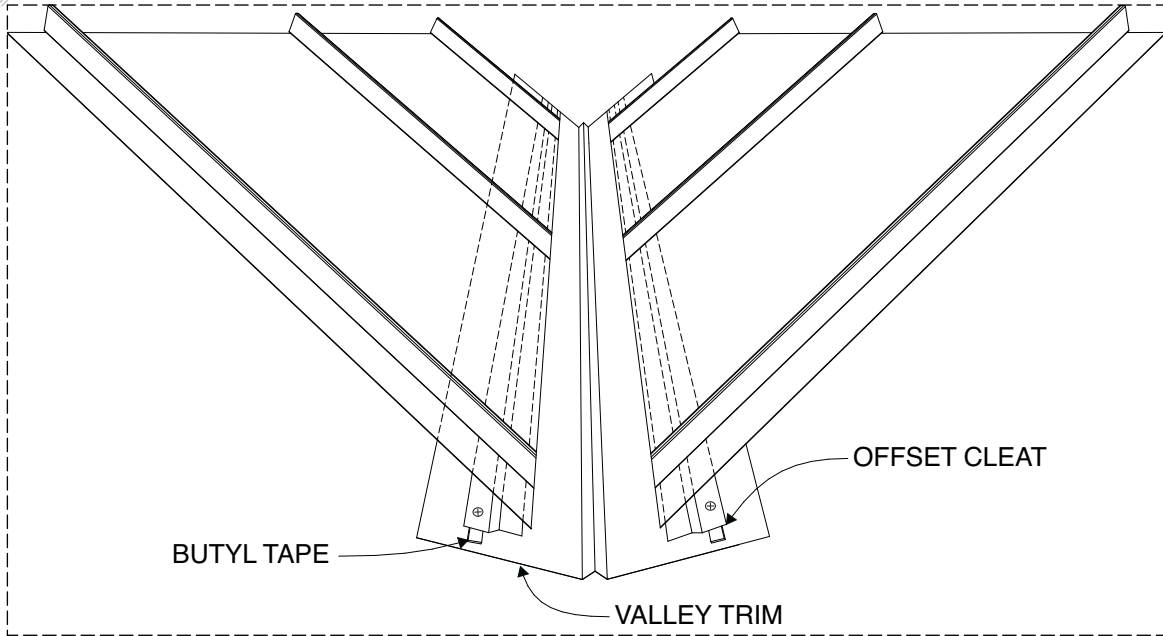
Clean up all filings and scraps from the surface. These can leave rust spots.

Use approved high temperature underlayment

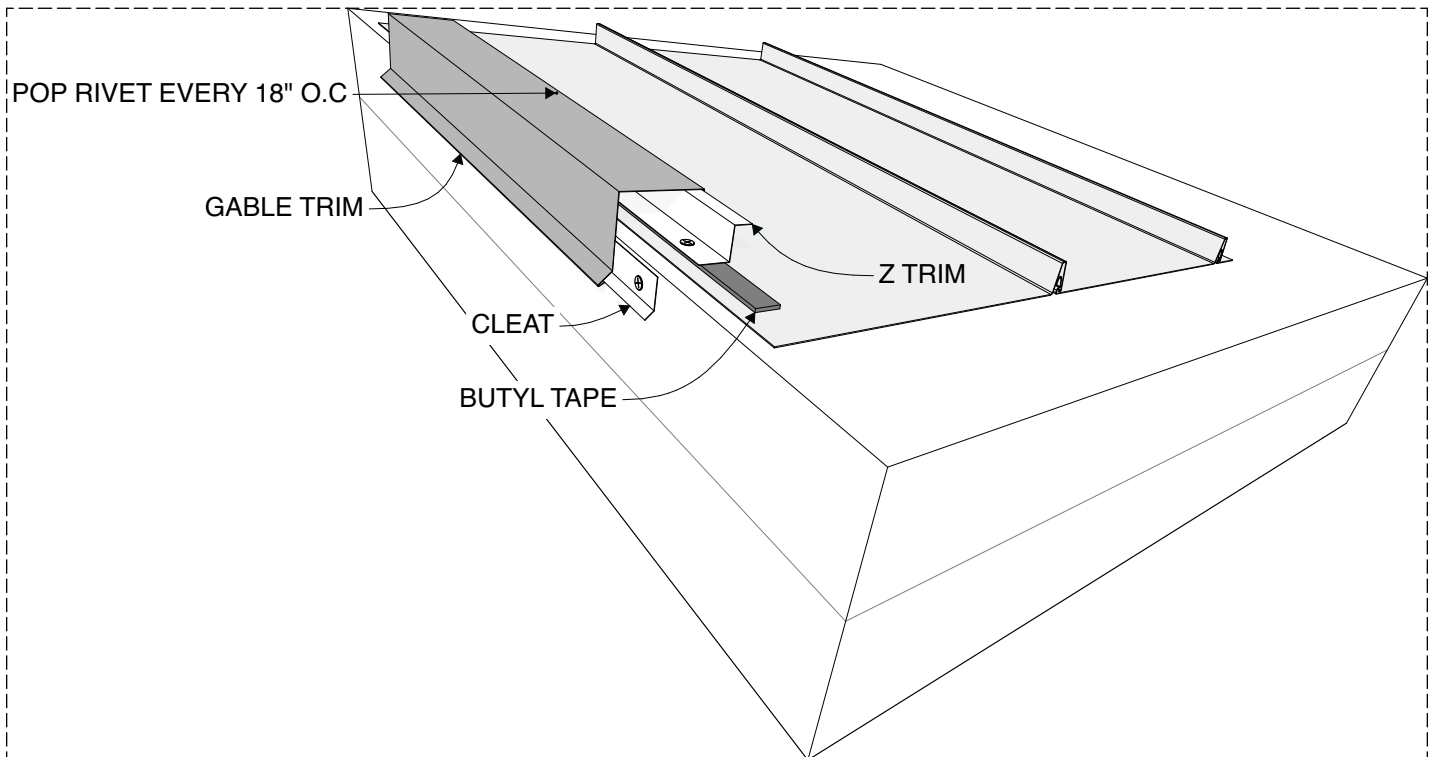
Snap Lock standing seam is designed to accommodate the expansion and contraction of steel panels. Galvanized metal will expand / contract by as much as 1/8" per 16' for every 100 degree change in temperature. Ensure there is adequate room for expansion or contraction of the panels as project requires



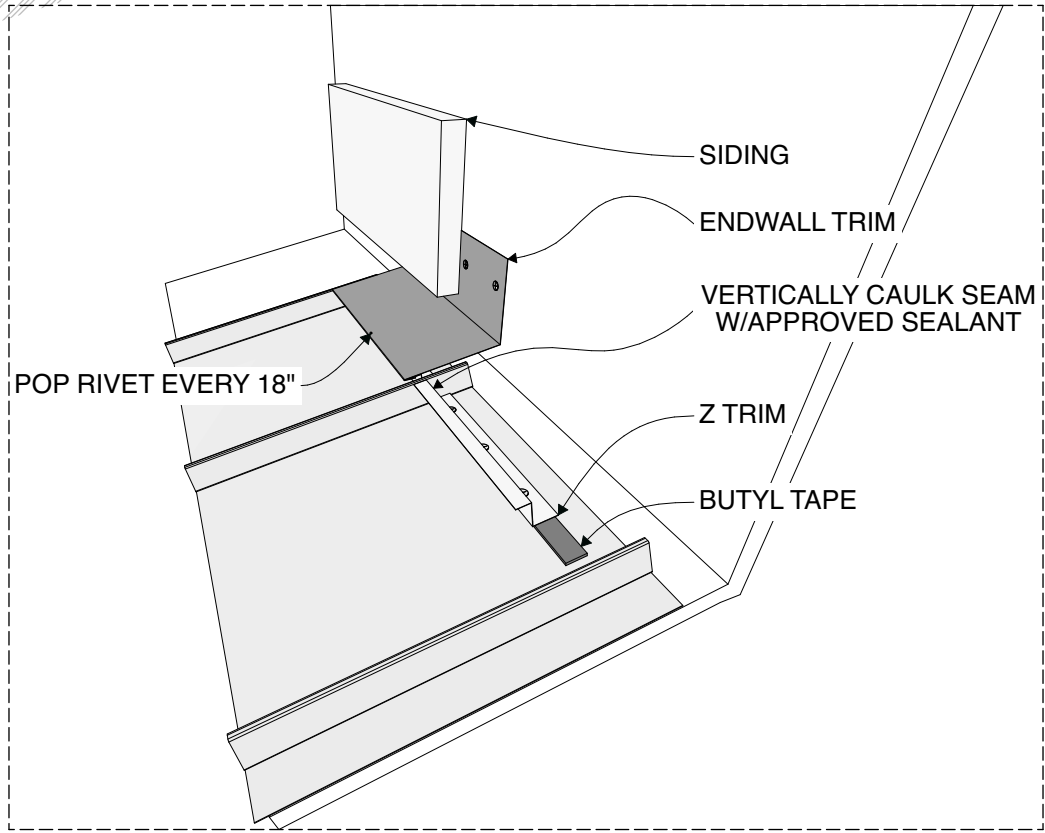
**A** | EAVE TRIM



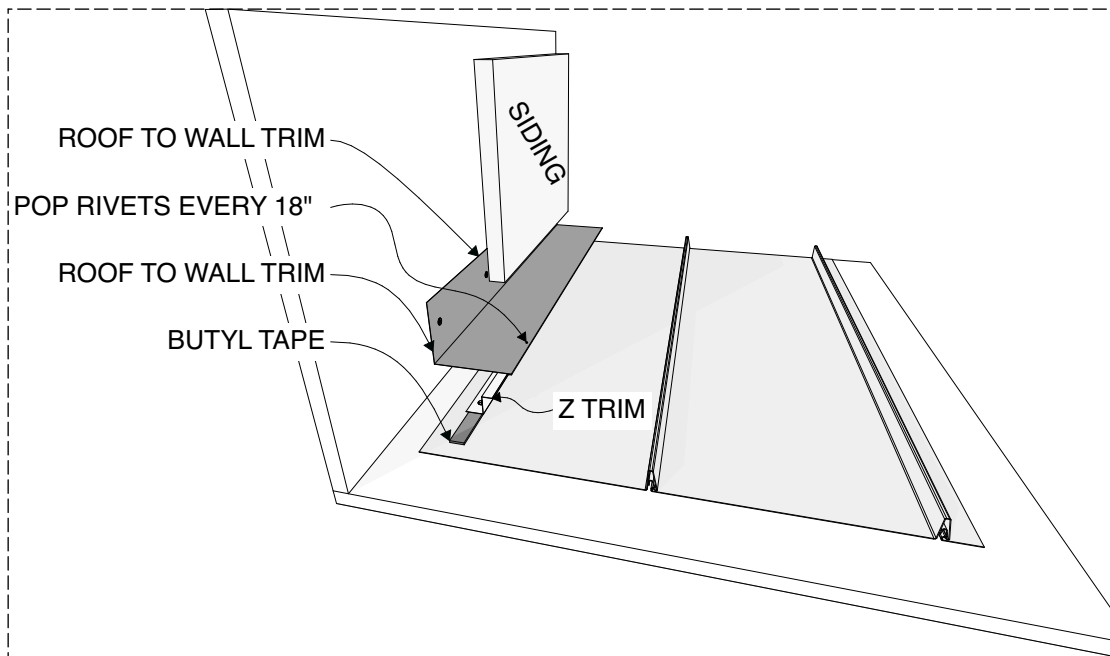
**B** | VALLEY



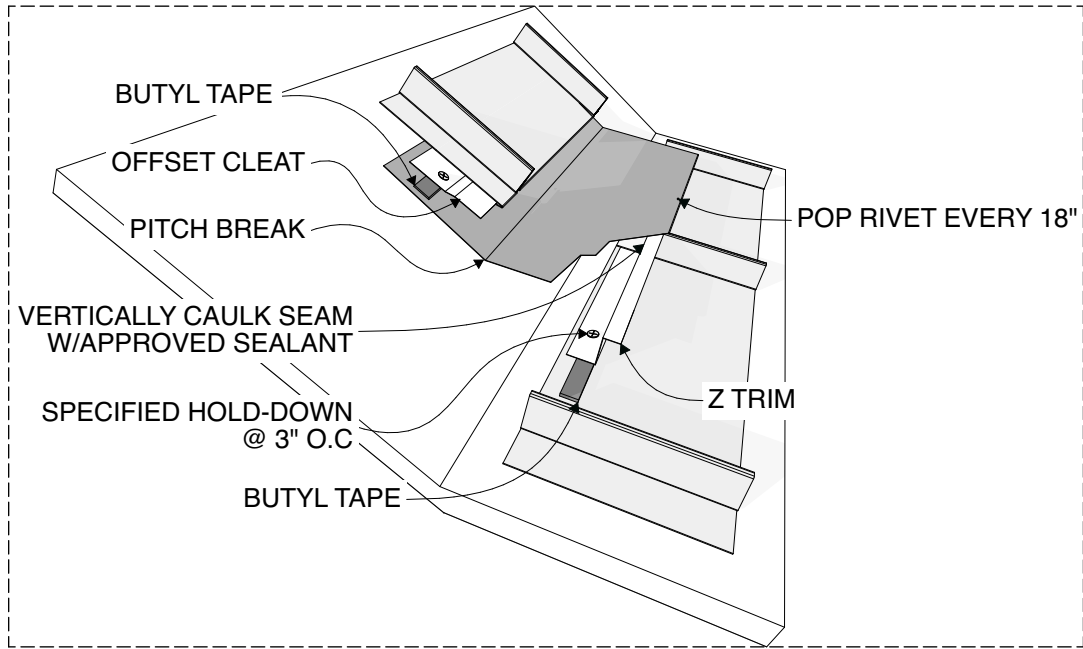
**C** | GABLE TRIM



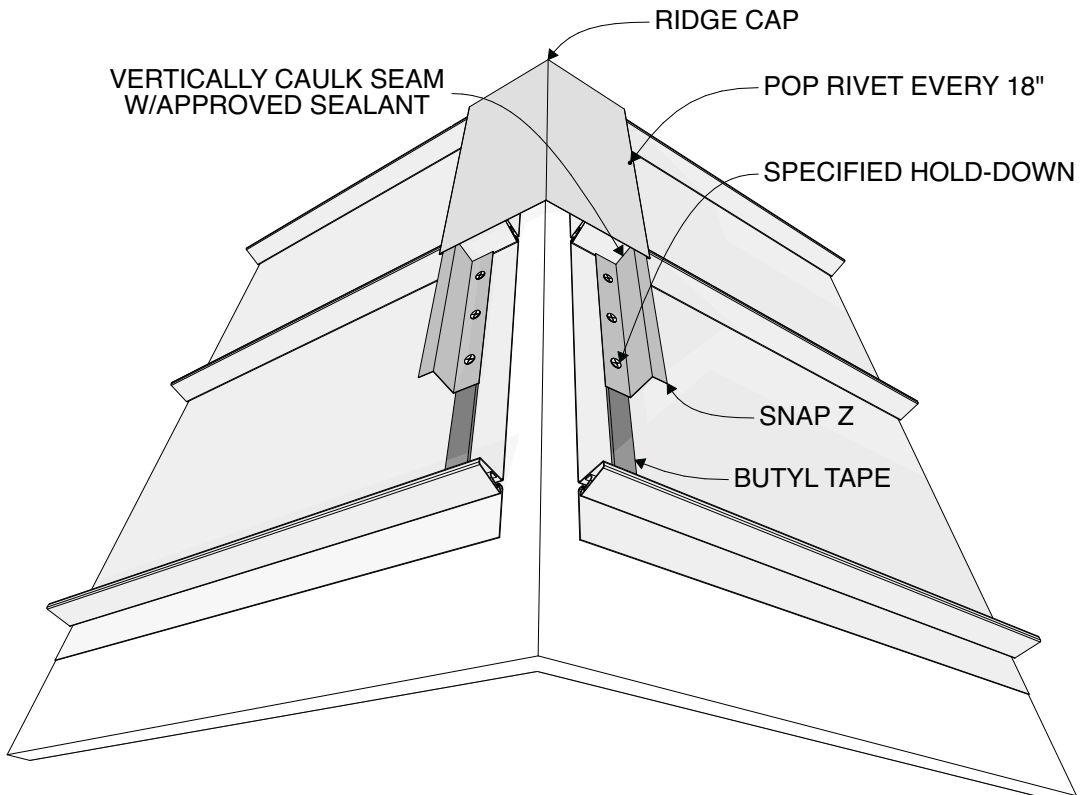
**D** | ENDWALL TRIM



**E** | SIDEWALL TRIM



F | PITCH BREAK



G | RIDGE CAP

